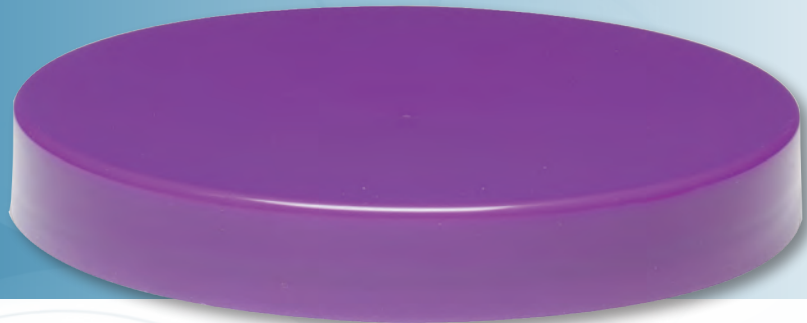


# 110- 400 SM

Smooth Side Wall  
 Smooth Top  
 Continuous Thread  
 110mm Diameter  
 400 Thread Profile  
 Lined or Unlined



## OPTIONS

- Available in standard or custom colors
- Low minimum order quantities, safety stock program available
- High speed lining capabilities with a variety of lining materials including heat induction, foam and pressure sensitive
- Round or tri-tab easy-open liners
- Industry's best lead times

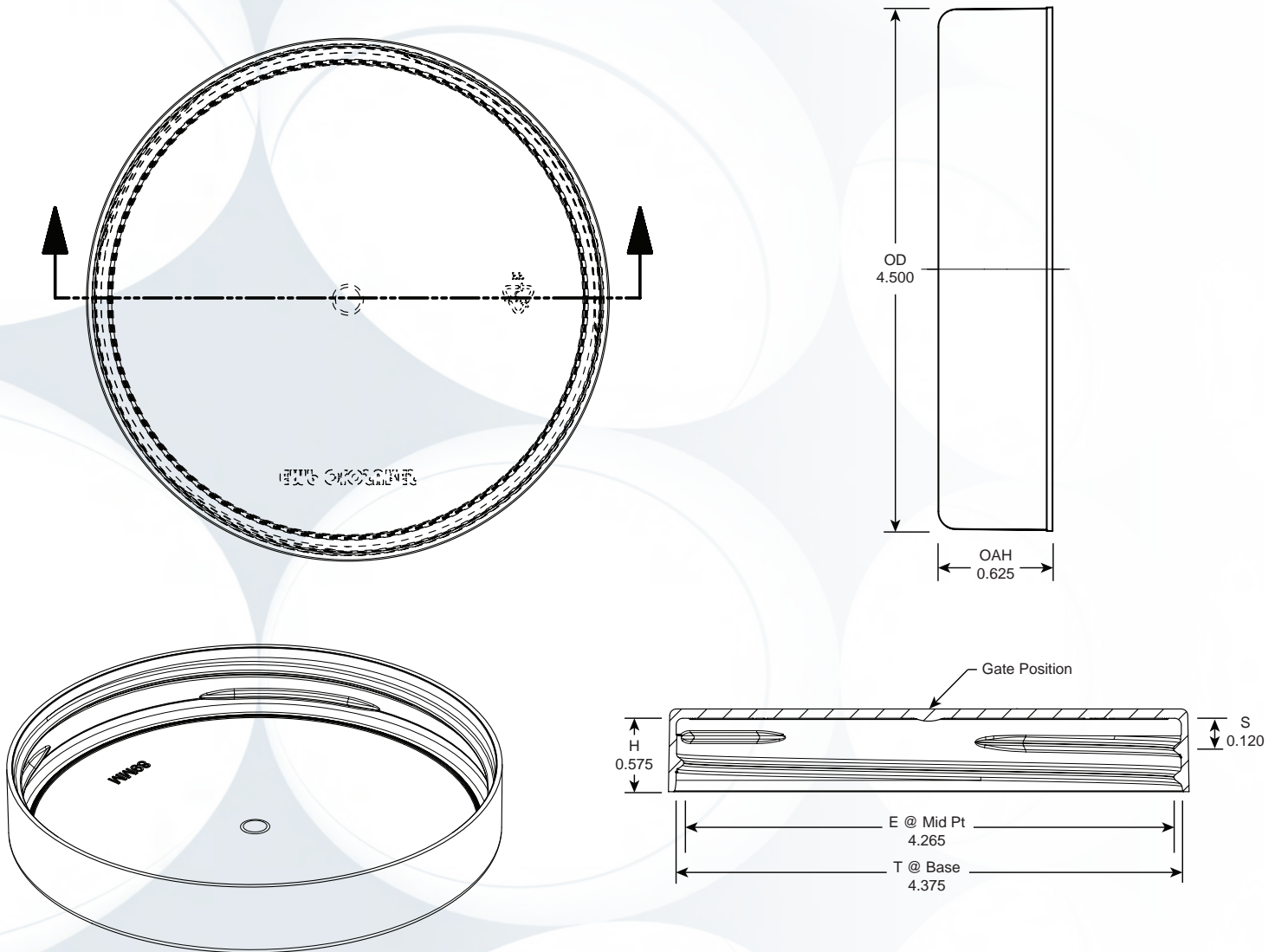
## SHIPPING INFORMATION

- Carton quantity: 270
- Carton packing: Tumble
- Pallet quantity: 8,100
- Truckload quantity: 243,000
- Carton weight (lbs):  
 Lined: 16.1    Unlined: 14.7
- Pallet weight (lbs)  
 Lined: 533    Unlined: 491
- Carton size: 24x16x14"
- Pallet size: 40x48x91"
- Freight class: 150


## STANDARD OR CUSTOM COLORS



# 110-400 SM



- Country of Origin is the USA and Manufacturing location is Erie, PA
- To maintain the quality of this product, it is recommended that product should be stored in its original packaging; away from any source of local heating and humidity; away from direct sunlight; under 30°C and dry conditions. It is recommended to allow product to reach operating temperature 24 hours before use.
- Products must be used within 12 months from the production date. Stocks should be in rotation so that first delivery is used first and last delivery is used last.

|  |                     |   |
|--|---------------------|---|
| Inch tolerances (unless specified)<br>General: +/- .010 "/>  |                     |  6020 West Ridge Road<br>Erie, Pennsylvania 16506<br>(814) 838-7914 Fax (814) 838-7411 |
| Number of turns: 1.25  |                     |   |
| Pitch (TPI): 5   | Max Deck Dip: 0.150 | 110-400 SM  |
| Material: PP   |                     | Erie Molded Packaging, Inc.   |
| This drawing is the exclusive property of Erie Molded Packaging, Inc. and may not be reproduced without the expressed written consent of Erie Molded Packaging, Inc. |                     | Date: November 21, 2016   |
|  |                     | Sheet: 01 of 01   |