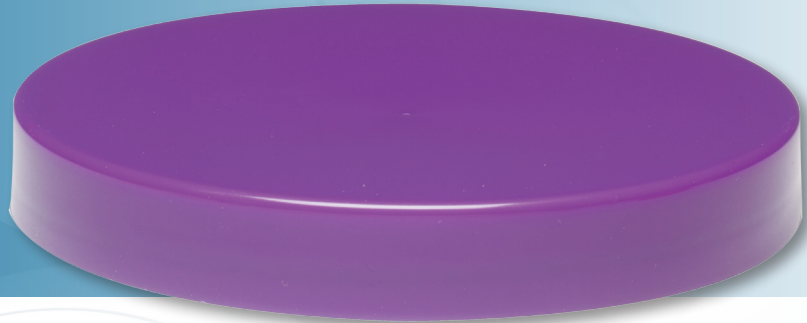


# 110-400 SM

Smooth Side Wall  
Smooth Top  
Continuous Thread  
110mm Diameter  
400 Thread Profile  
Lined or Unlined



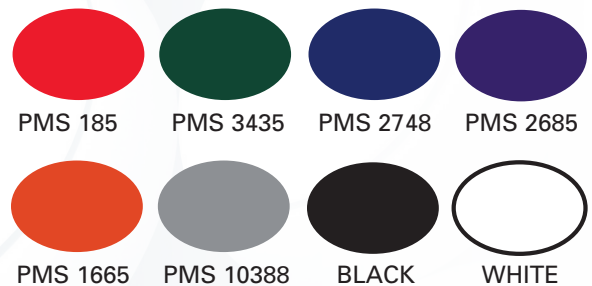
## OPTIONS

- Available in standard or custom colors
- Low minimum order quantities, safety stock program available
- High speed lining capabilities with a variety of lining materials including pressure sensitive and heat induction
- Round or tri-tab easy-open liners
- Lead time 2-3 weeks

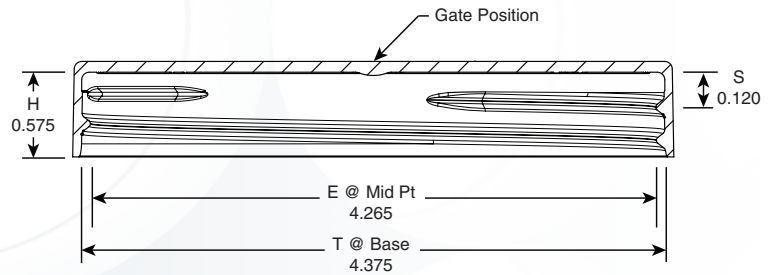
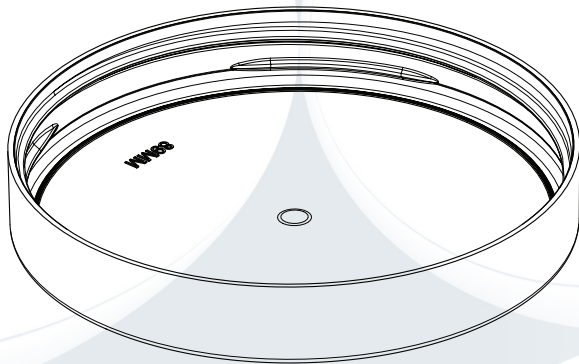
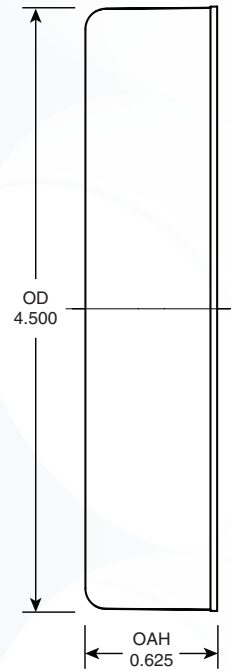
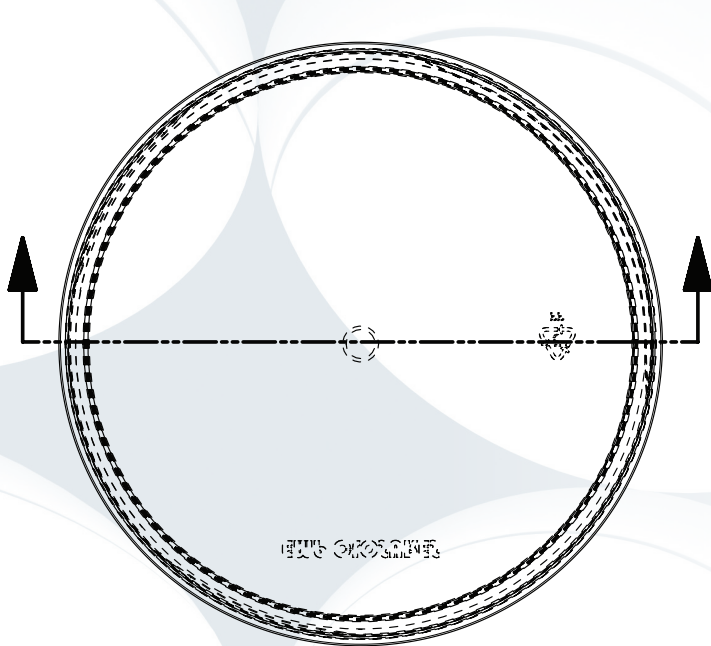
## SHIPPING INFORMATION


- Carton quantity: 270
- Carton packing: Tumble
- Pallet quantity: 8,100
- Truckload quantity: 243,000
- Carton weight (lbs): 15.5
- Pallet weight (lbs): 485
- Carton size: 24x16x14"
- Pallet size: 40x48x91"
- Freight class: 150

## STANDARD OR CUSTOM COLORS



# 110-400 SM



Inch tolerances (unless specified) General: +/- .010 "/>		 6020 West Ridge Road Erie, Pennsylvania 16506 (814) 838-7914 Fax (814) 838-7411
Number of turns: 1.25		
Pitch (TPI): 5	Max Deck Dip: 0.150	110-400 SM
Material: PP		Erie Molded Plastics, Inc.
This drawing is the exclusive property of Erie Molded Plastics, Inc. and may not be reproduced without the expressed written consent of Erie Molded Plastics, Inc.		Date: November 21, 2016
		Sheet: 01 of 01